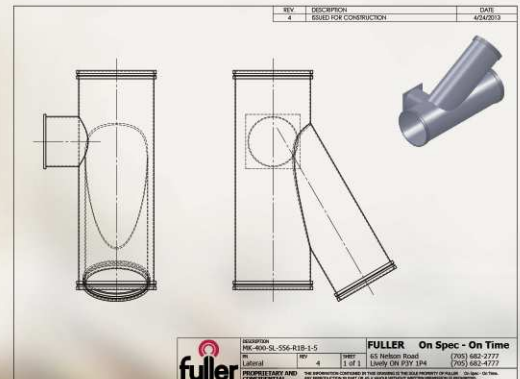
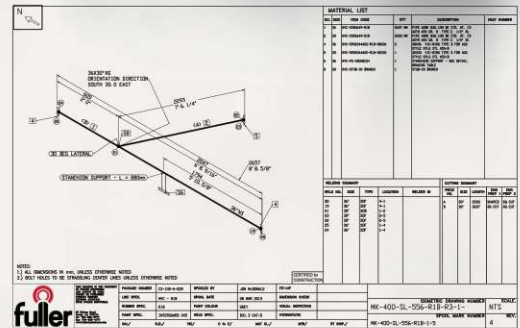
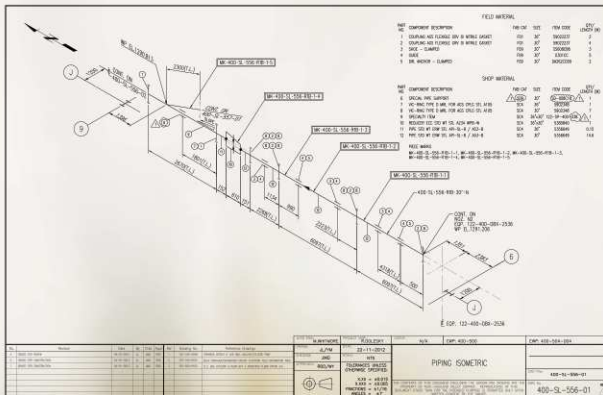




# RUBBER LINED PIPE AND FITTINGS COMPONENT LIBRARY

Sales Offices 705-682-2777 • 888-524-3777

Sudbury • Vancouver • Calgary • Salt Lake City



# Rubber Lined Pipe and Fittings Component Library

This CAD library is developed to support project specifications and design of Carbon Steel Rubber Lined Piping Systems.

Our Rubber Lined Pipe and Fitting Component Library addresses the unique specification and design characteristics that are not considered in conventional steel piping component libraries.

## Software system compatibility

- Integraph Smart Plant 3D (Integraph load sheets)
- Aveva PDMS -Coming soon!
- Bentley Plant Space - Coming soon!
- Cadworx Plant - Coming soon!
- Autodesk AutoCAD Plant 3D - Coming Soon!

## Components Included

(Sizes are 1 inch to 48 inch nominal pipe diameter)

- Pipe
- Elbows (1.5D, 3D, 5D) 11.25, 22.5, 30, 45, 60, 90 angles
- Laterals 45 Deg
- True Wye's
- Cross's
- Concentric and Eccentric Reducers
- Tee's, Reducing Tee's
- Lap Joints, Stub Ends
- Weld Neck Flange Ends
- Slip-on Flange Ends
- Flange Adapters
- Cut Groove Terminations

## Results

- Bulk download of pipe and fittings library saves time for piping designers
- Directly cross references to paper specification
- Gasket and end to end dimensions are correct for model and fabricator
- Centre to end dimensions standardized for all termination styles on fittings
- All fitting and tangent dimensions are to ASME published standards
- Ability to make accurate shop drawings from model data - eliminates need for fabricator to redraw pipe and fittings for shop fabrication

## Library and installation Instruction

- Contact Fuller Sales to get a copy for your system